

# AORB

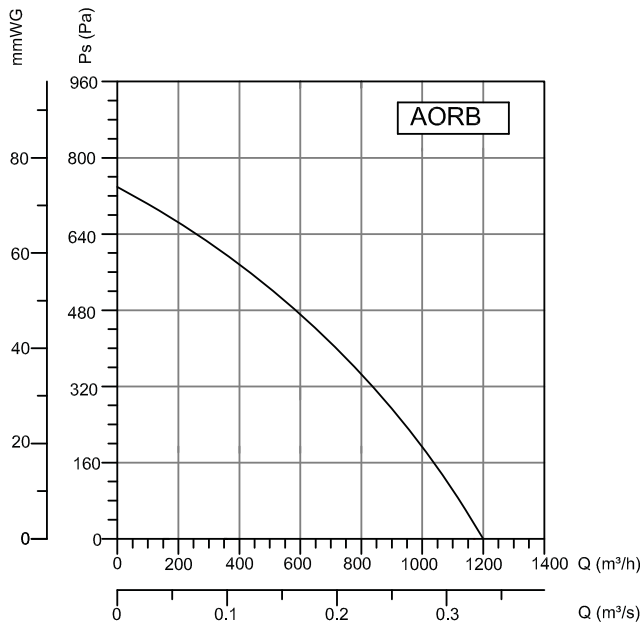
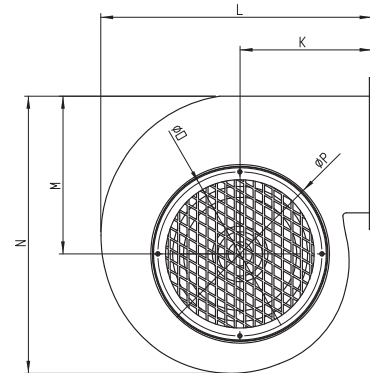
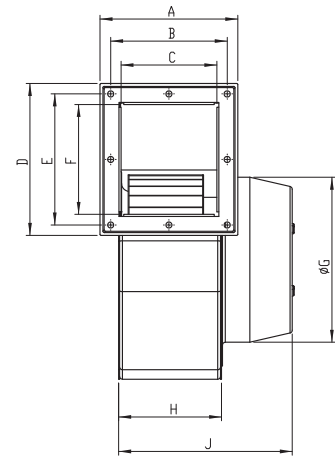
## AC DIRECT DRIVE CENTRIFUGAL BLOWER Metal Body

AORB fan's compact structure benefits space saving for various cooling and ventilation applications.



- MATERIAL** : Casing is made of electrostatic sheet metal, impeller is made of forward curved galvanized sheet metal.
- INSULATION CLASS** : Class B
- DIRECTIVE** : EN 60335-1, EN 60335-2-80
- SPEED CONTROL** : Speed can be adjusted using an optional controller.
- APPLICATION AREAS** : The AORB centrifugal fan is perfect for use in industrial and commercial environments, mainly for local cooling applications, blowing in heating systems etc.

### Technical Drawings



TYPE	VOLTAGE	FREQUENCY	POWER	CURRENT	CAPACITOR	SPEED	AIR FLOW	SOUND PRESSURE LEVEL	WEIGHT
	V	Hz	W	(A)	(µF)	d/d	m³/h	dB(A)	kg
AORB	230	50	605	2,8	8	2750	1200	70	8

TYPE	A	B	C	D	E	F	G	H	J	K	L	M	N	O	P
AORB	150	125	105	163	139	120	174	109	185	142	290	170	298	143	186

### Accessories



**BSC**

Dimensions are in (mm)