

RADIAL FANS



ORB

AC MEDIUM PRESSURE CENTRIFUGAL FANS

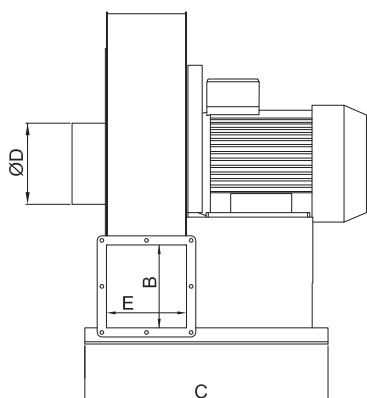
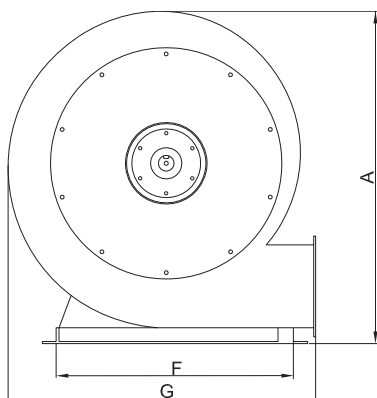
Under middle and high static pressure, gives high performance.

Flowrate: 950 – 4000 m³/h

Pressure: 130 - 725 mmWG

Direct coupled motor (single phase – three phase)

Technical Drawings



MATERIAL

: Housing is made of electrostatic powder coated sheet metal, impeller is made of galvanized sheet metal.

INSULATION CLASS

: Class F

DIRECTIVE

: EN 60335-1, EN 60335-2-80

SPEED CONTROL

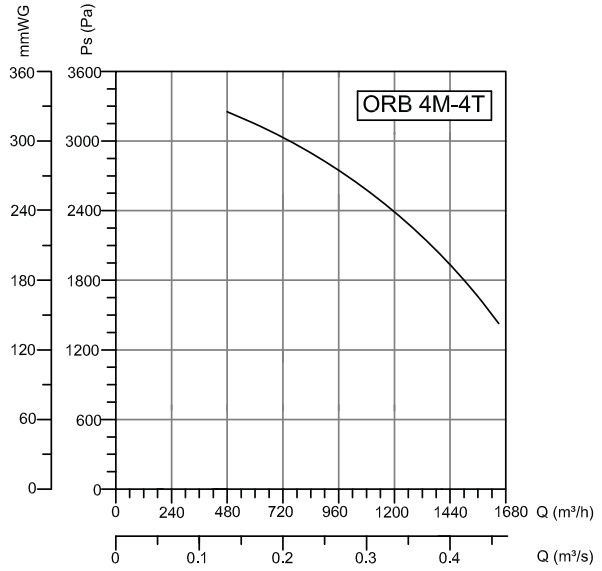
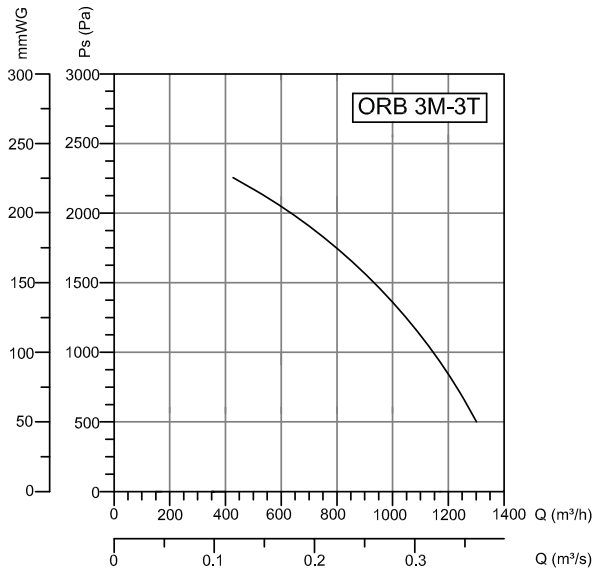
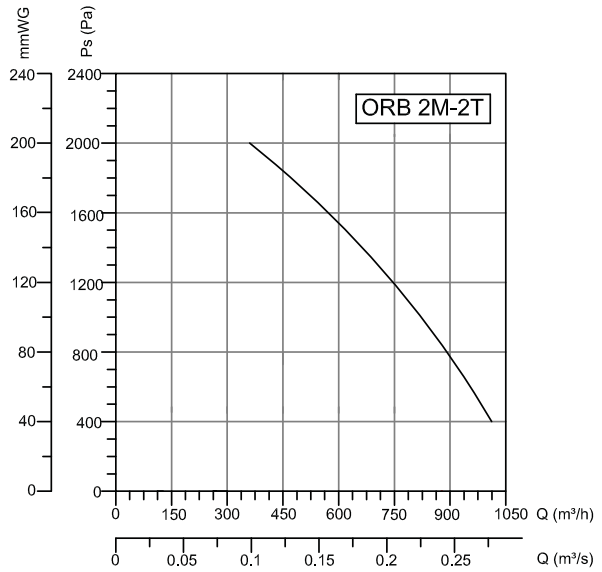
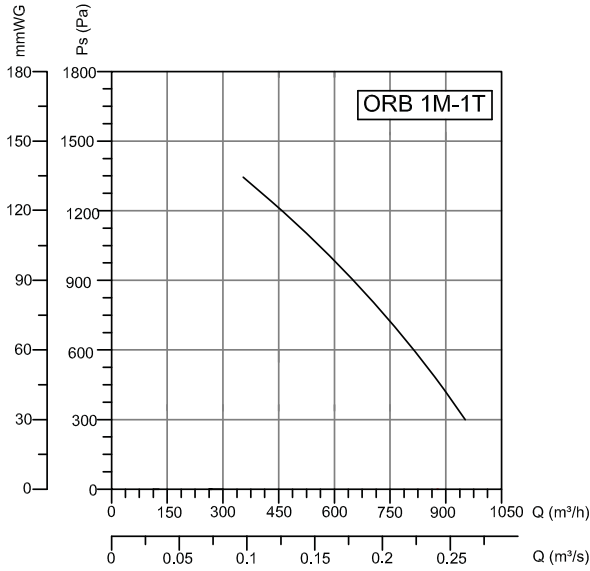
: Speed can be adjusted using an optional controller.

APPLICATION AREAS

: Where marble dust, small chips, granite, plastic saw's dust, wooden and metal chips etc. must be transported, every place where middle pressure air flow is needed.

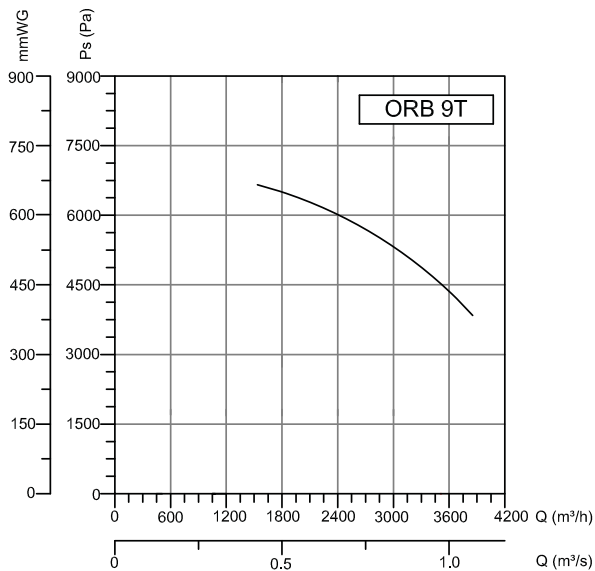
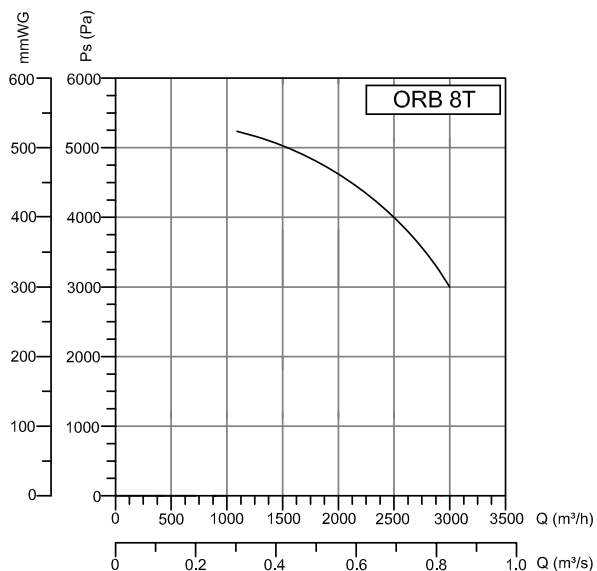
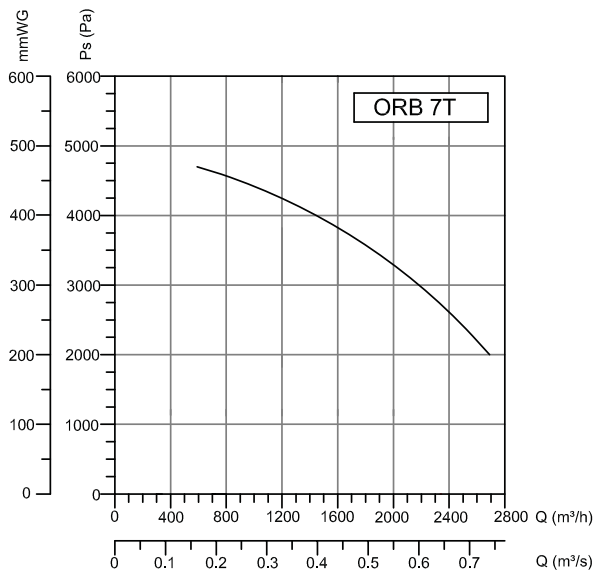
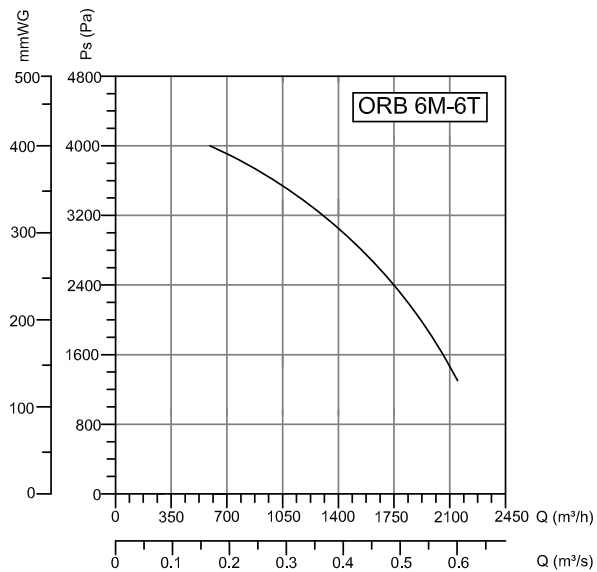
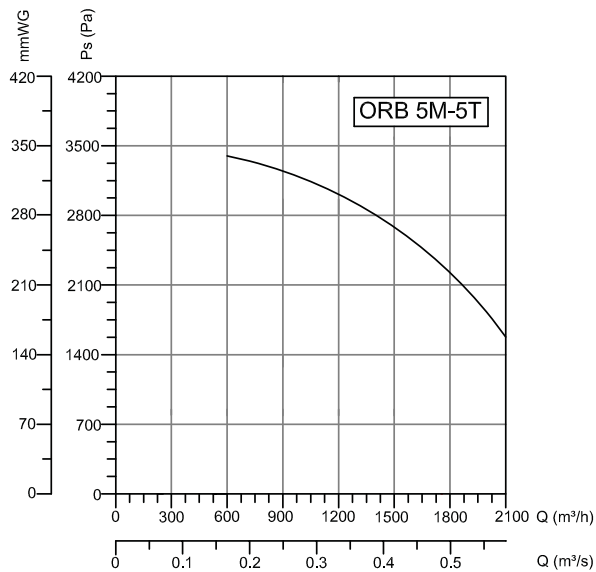
TYPE	A	B	C	D	E	F	G
ORB 1	430	95	340	120	100	320	380
ORB 2	500	95	340	120	100	370	380
ORB 3	560	95	340	120	100	390	400
ORB 4	590	110	420	150	120	450	600
ORB 5	650	110	440	150	120	450	600
ORB 6	670	140	520	150	150	450	700
ORB 7	760	140	550	150	150	510	750
ORB 8	810	140	600	150	150	630	800
ORB 9	830	140	640	180	150	630	850

Dimensions are in (mm)



TYPE	VOLTAGE	FREQUENCY	POWER	SPEED	AIR FLOW	STATIC PRESSURE	WEIGHT
	V	Hz	KW	d/d	m³/h (max)	Pa (max)	kg
ORB 1M-1T	230/380	50	0.37	2800	950	1300	20
ORB 2M-2T	230/380	50	0.75	2800	1000	2000	28
ORB 3M-3T	230/380	50	1.1	2800	1300	3000	42
ORB 4M-4T	230/380	50	1.5	2800	1600	3500	47
ORB 5M-5T	230/380	50	2.2	2800	1900	4000	58
ORB 6M-6T	230/380	50	3	2800	2200	4500	60
OBR 7T	380	50	4	2800	2500	5000	67
OBR 8T	380	50	5.5	2800	3000	6000	106
OBR 9T	380	50	7.5	2800	4000	7250	134

RADIAL FANS



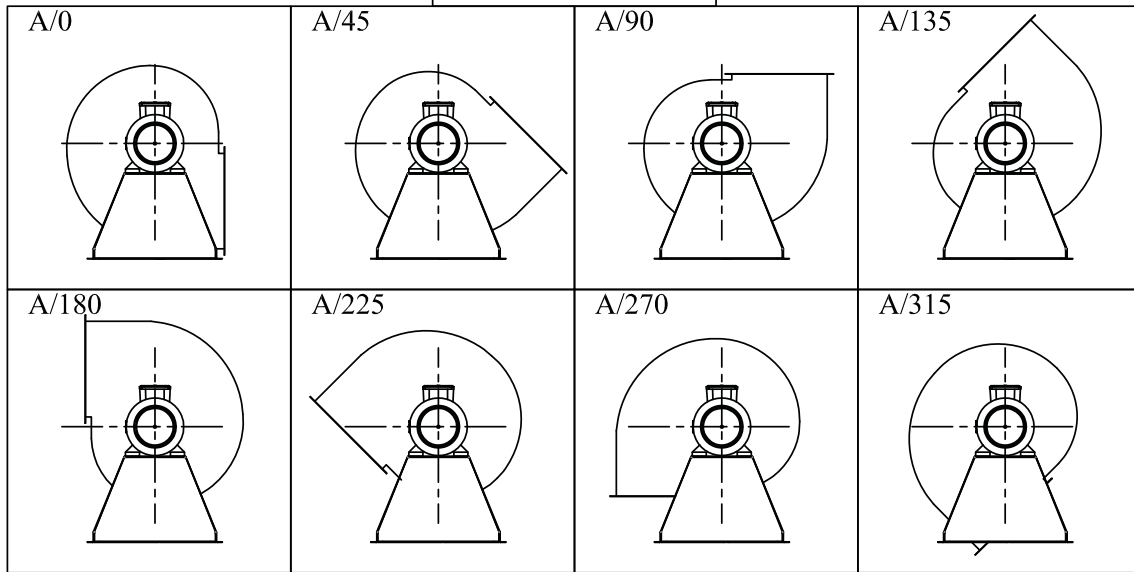
Accessories

BSC-F

SUCTION - BLOWING DIRECTIONS

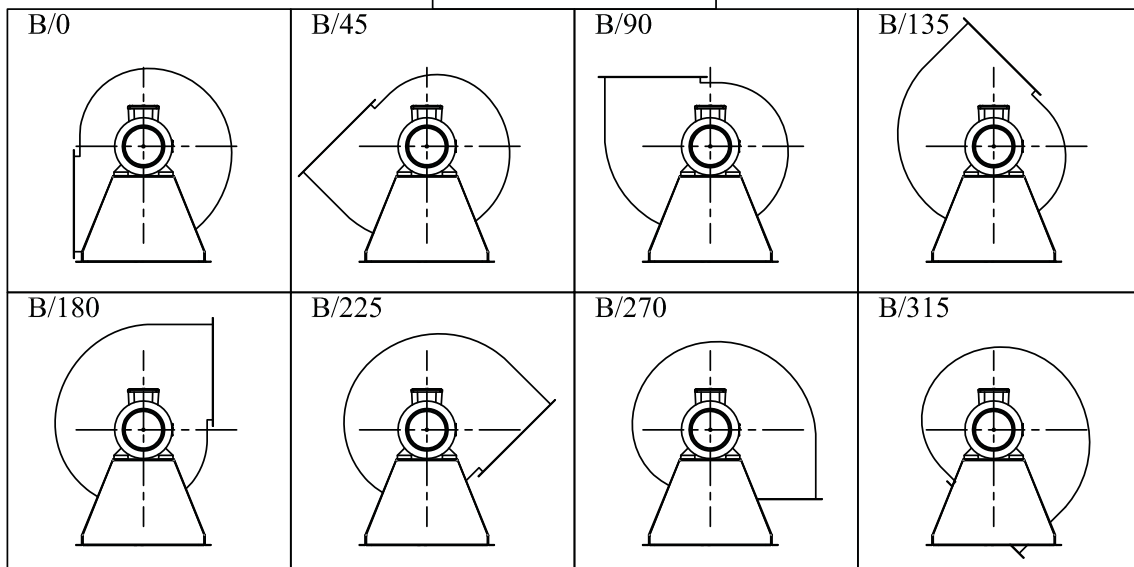
LEFT

A



RIGHT

B



DUCT FANS

ROOF FANS

AXIAL FANS

RADIAL FANS

PLASTIC FANS

VENTILATORS

SMOKE EXHAUST SYSTEMS

ACCESSORIES