

RKX 500x250 D3

Description



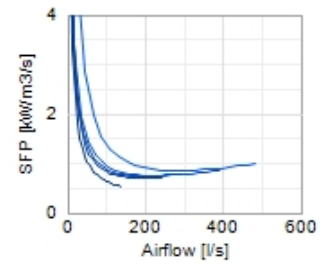
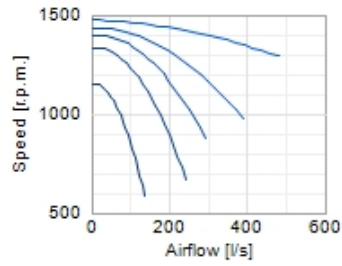
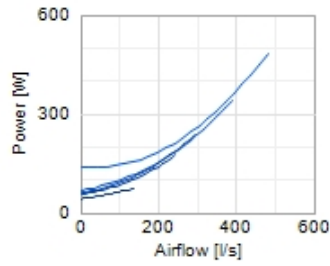
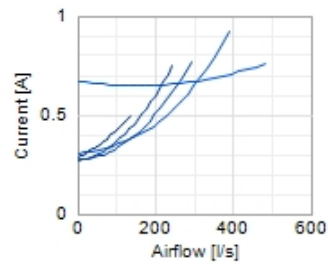
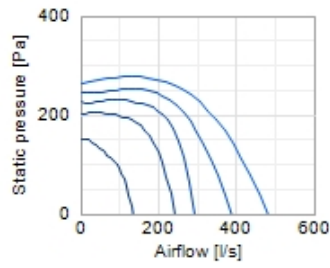
RKX is a refinement of RK and is a safe choice for numerous applications in hazardous locations. The inlet cone is manufactured in non-sparking copper and the motor is an ATEX-approved external rotor motor. All RKX have 3-phase motors and forward curved impellers. They have a rigid housing made of pre-galvanized steel. And least but not last all RKX have swing-out motor and impeller assembly for safe, easy maintenance and cleaning.

Technical data

Parameter	Value	Unit
Voltage	400	V
Voltage range	380-415	V
Phase	3	~
Frequency	50	Hz
Power	530	W
Current	0,92	A
Speed	1280	r.p.m.
Max. temperature of transported air	40	°C
Max. temperature of transported air when speed controlled	40	°C
Sound pressure level at 3 m	56	dB(A)
Length	532	mm
Width	543	mm
Height	314	mm
Weight	18	kg
Enclosure class	44	IP
Insulation class, motor	F	
Duct connection, Ø	500X250 mm	
Max. flow	480	l/s
Max. pressure	278	Pa

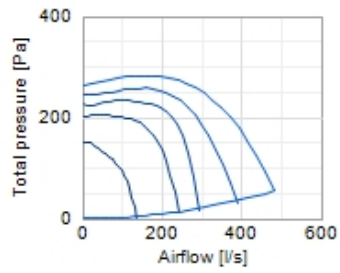
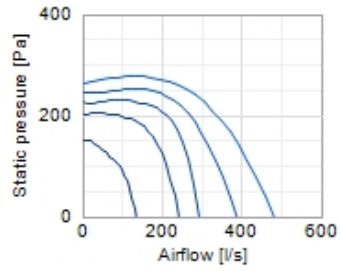
Diagrams

User point
Work point
Airflow [l/s]
0,0664
Static pressure [Pa]
150
Power [W]
42,9
Current [A]
0,285
Speed [r.p.m.]
1154
Efficiency [%]
-
SFP [kW/m3/s]
30
Voltage [V]
95



Sound

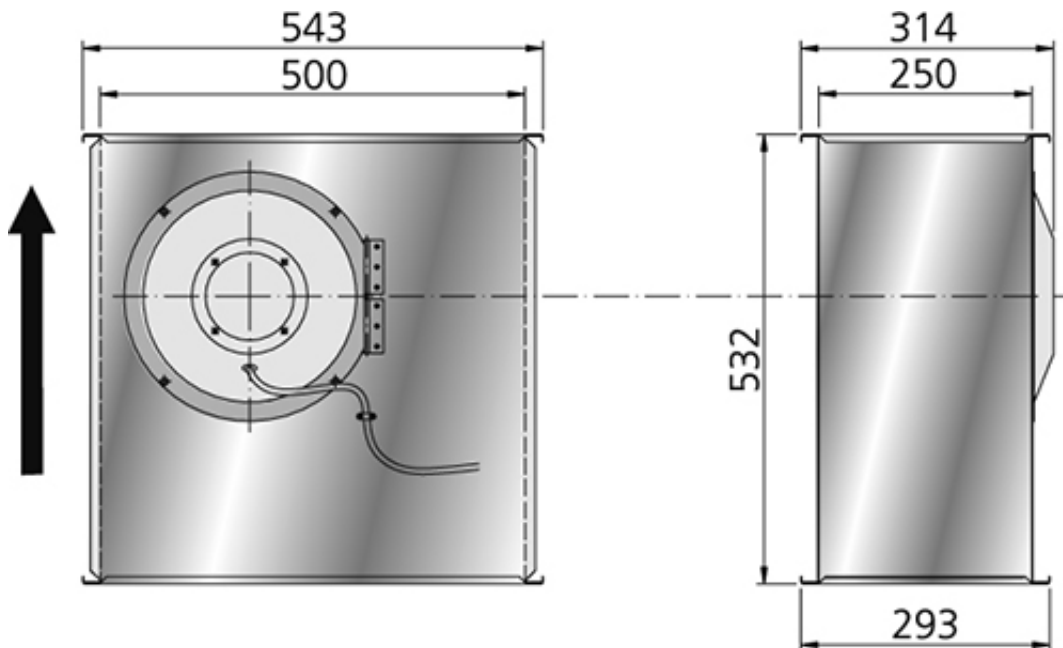
User point
Work point
Airflow [l/s] 0,0664
Static pressure [Pa] 150
Total pressure [Pa] 150
Power [W] 42,9
Current [A] 0,285
Speed [r.p.m.] 1154
Efficiency [%] -
SFP [kW/m ³ /s] 30
Voltage [V] 95



Distance: 3
Sound propagation: Hemispherical
Equivalent absorption area: 20

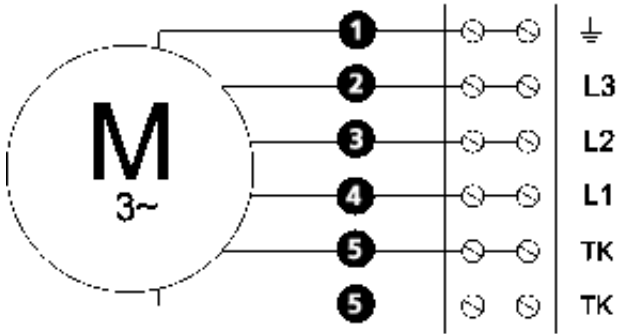
	Tot	63	125	250	500	1k	2k	4k	8k
Inlet Lw dB(A)	72	53	63	63	68	67	57	54	46
Outlet Lw dB(A)	74	54	58	62	65	68	68	67	64
Surrounding Lw dB(A)	57	31	40	50	52	52	48	43	40
Surrounding Lp dB(A)	51	24	34	44	46	45	41	37	33

Dimensions



Wiring diagram

4040115



Electric accessory



U-EK230E



Junction Box
ATEX

Documents

Directions for use

1270028_utg2_RKX_sveng_low.pdf

EC Declarations

EC_Decl_1270028_utg1_RKX_sveng.pdf

Product declarations

BVD10_u1_RFTX_RKX.pdf

ATEX Certificates

ATEX-certifikat RKX (SP06ATEX3127X) 3 sid-Svartvitt.pdf

IMPORTANT_INFORMATION_ATEX.pdf

ATEX_SP07ATEX7124 20130618.pdf

Suppl_No1_SP06ATEX3127X.pdf