

Range of single inlet direct drive centrifugal fans designed for smoke extraction in fire conditions and certified F400-120 (CE marked) and suitable for the continuous extraction of air stream up to 300°C.

All casings are manufactured from electro-welded sheet steel protected against corrosion by grey epoxy-polyester paint coating.

All models incorporate forward curved centrifugal impellers manufactured from galvanised sheet steel.

Available, depending upon the model, with single or three phase motors in 4 or 6 poles.

**Motors**

All motors are IP55, class F.

Electrical supply:

Three phase 230/400V-50Hz up to 3kW.

Three phase 400V-50Hz, for higher power motors.

(See characteristics chart).

**Additional Information**

The scroll can be orientated in 8 different positions as per the table below.

Standard supplied position: LG 270.

**On request**

Fan supplied in RD position.

Fan fitted with 2-speed motor.

**Specific applications**



Approved to EN12101-3 standard. Certificate nº 0370-CPD-0406



Continuous

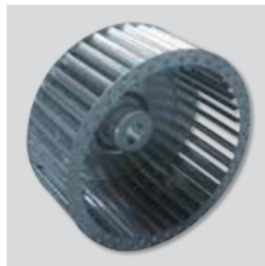


Parkings



**Standard motor with cooling wheel**

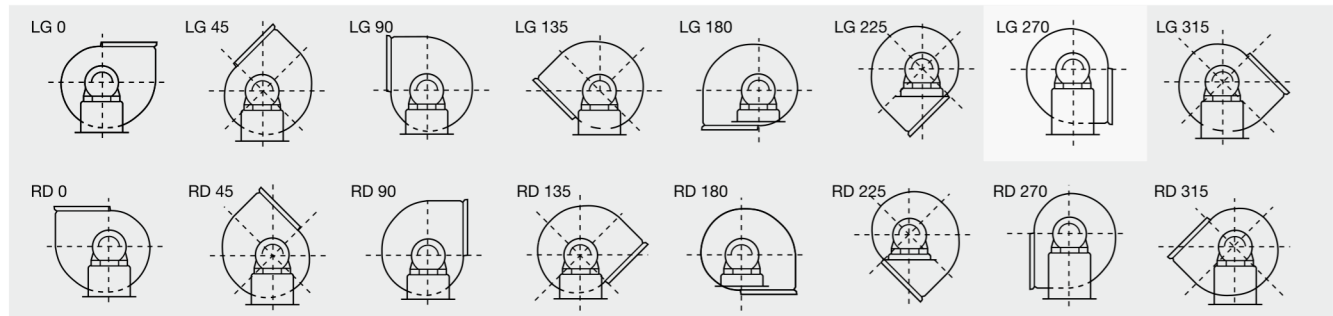
Motor heat removal system ensures extraction of high temperature air stream.



**Impellers dynamically balanced**

Forward curved centrifugal impellers dynamically balanced according to ISO 1940 standard, providing vibration free Operation.

**POSITIONS**



Standard position: LG 270. Special versions are supplied under request.

**TECHNICAL CHARACTERISTICS**

Before installation check that the product electrical characteristics listed on the data plate label (voltage, power, frequency etc) match those of the intended electrical supply.

Model	Speed (rpm)	Motor power (kW)	Maximum current (A)		Maximum airflow (m³/h)	Sound pressure level* (dB(A))	Weight (kg)
			230 V	400 V			
THREE PHASE 4 POLE							
CRMT/4-225/90-0,55	1390	0,55	2,85	1,65	2.350	70	23,5
CRMT/4-250/100-1,1	1390	1,1	4,8	2,8	3.600	72	33
CRMT/4-250/100-1,5	1400	1,5	6,4	3,7	3.900	73	36
CRMT/4-280/115-2,2	1400	2,2	9,1	5,3	5.050	75	44,5
CRMT/4-280/115-3	1400	3	12,6	7,3	5.500	76	47,5
CRMT/4-315/130-2,2	1400	2,2	9,1	5,3	5.450	72	50,5
CRMT/4-315/130-3	1400	3	12,6	7,3	6.400	75	53,5
CRMT/4-315/130-4	1420	4	-	9,3	7.100	78	56,5
CRMT/4-355/145-3	1400	3	12,6	7,3	6.200	75	55,5
CRMT/4-355/145-4	1420	4	-	9,3	7.700	78	58,5
CRMT/4-355/145-5,5	1440	5,5	-	12	9.300	81	71,5
CRMT/4-355/145-7,5	1445	7,5	-	15,5	10.700	83	79,5
CRMT/4-400/165-4	1420	4	-	9,3	7.200	77	73,5
CRMT/4-400/165-5,5	1440	5,5	-	12	8.300	80	86,5
CRMT/4-400/165-7,5	1445	7,5	-	15,5	10.460	83	94,5
CRMT/4-450/185-5,5	1445	5,5	-	12	7.560	83	96,5
CRMT/4-450/185-7,5	1445	7,5	-	15,5	9.900	86	104,5
CRMT/4-500/205-7,5	1445	7,5	-	15,5	8.410	83	109,5
CRMT/4-500/205-9,2	1450	9,2	-	21,5	10.300	85	121,5
CRMT/4-500/205-11	1450	11	-	22,5	11.250	87	133,5
CRMT/4-500/205-15	1460	15	-	31	15.930	89	148,5
THREE PHASE 6 POLE							
CRMT/6-355/145-1,5	945	1,5	7,5	4,3	6.700	75	54,5
CRMT/6-400/165-2,2	950	2,2	10,8	6,2	7.750	72	73,5
CRMT/6-450/185-2,2	950	2,2	10,8	6,2	7.800	75	83,5

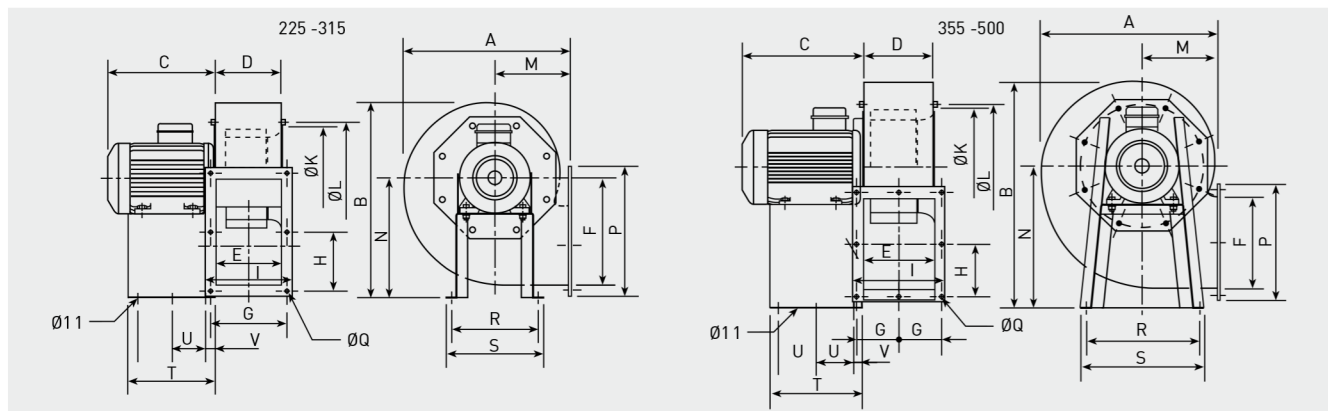
\* The values of sound pressure levels, are values measured in dB(A) at 1,5 m at the fan discharge side and at the maximum volume (Qmax).

**ACOUSTIC CHARACTERISTICS**

Sound power level spectrum in dB(A) at the corresponding frequency band in Hz.

Description	SOUND LEVEL SPECTRUM								TOTAL
	63 Hz	125 Hz	250 Hz	500 Hz	1000 Hz	2000 Hz	4000 Hz	8000 Hz	Lw
4 POLES									
CRMT/4-225/90 - 0,55	55	67	74	75	80	81	77	73	85
CRMT/4-250/100 - 1,1	56	69	75	76	81	82	78	75	87
CRMT/4-250/100 - 1,5	56	69	75	76	81	82	78	75	87
CRMT/4-280/115 - 2,2	59	72	78	79	84	85	81	78	90
CRMT/4-280/115 - 3	59	72	78	79	84	85	81	78	90
CRMT/4-315/130 - 2,2	56	69	75	76	81	82	78	75	87
CRMT/4-315/130 - 3	59	72	78	79	84	85	81	78	90
CRMT/4-315/130 - 4	62	75	81	82	87	88	84	81	93
CRMT/4-355/145 - 3	59	72	78	79	84	85	81	78	90
CRMT/4-355/145 - 4	62	75	81	82	87	88	84	81	93
CRMT/4-355/145 - 5,5	65	78	84	85	90	91	87	84	96
CRMT/4-355/145 - 7,5	66	79	85	86	91	92	88	85	97
CRMT/4-400/165 - 4	61	74	80	81	86	87	83	80	92
CRMT/4-400/165 - 5,5	64	77	83	84	89	90	86	83	95
CRMT/4-400/165 - 7,5	67	80	86	87	92	93	89	86	98
CRMT/4-450/185 - 5,5	67	80	86	87	92	93	89	86	98
CRMT/4-450/185 - 7,5	70	83	89	90	95	96	92	89	101
CRMT/4-500/205 - 7,5	67	80	86	87	92	93	89	86	98
CRMT/4-500/205 - 9	69	82	88	89	94	95	91	88	100
CRMT/4-500/205 - 11	71	84	90	91	96	97	93	90	102
CRMT/4-500/205 - 15	73	86	92	93	98	99	95	92	104
6 POLES									
CRMT/6-355/145 - 1,5	56	69	72	80	80	81	76	72	86
CRMT/6-400/165 - 2,2	58	70	73	81	81	82	78	74	87
CRMT/6-450/185 - 2,2	60	73	76	84	84	85	80	76	90

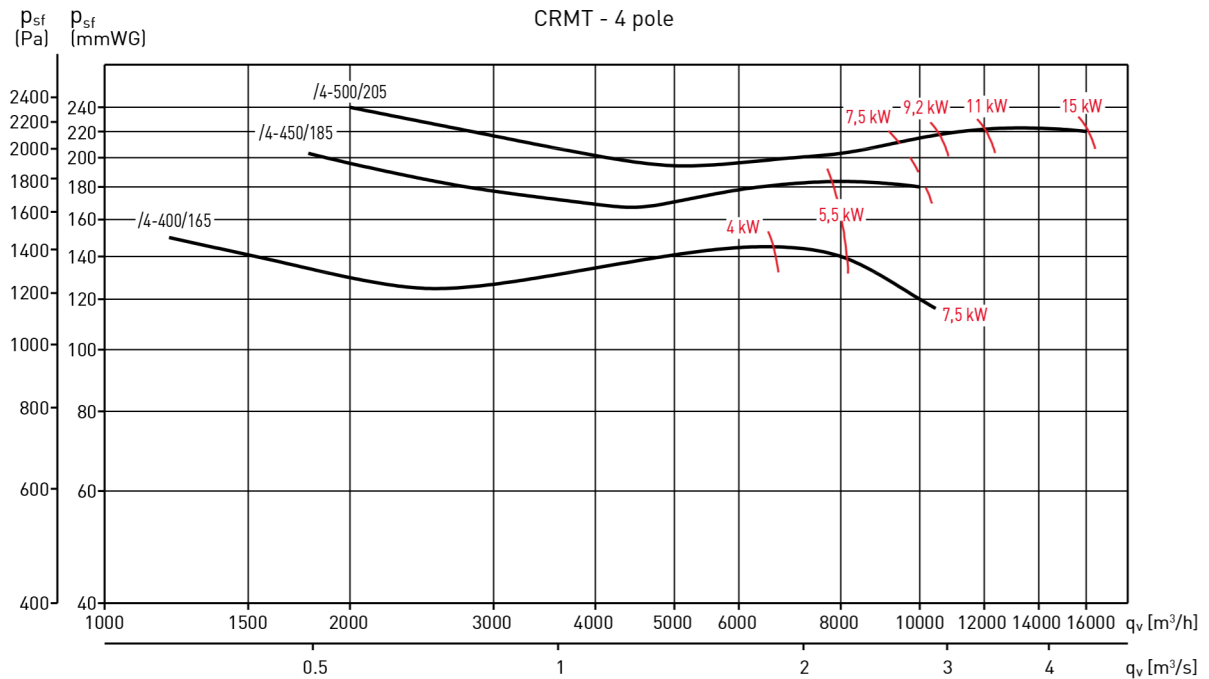
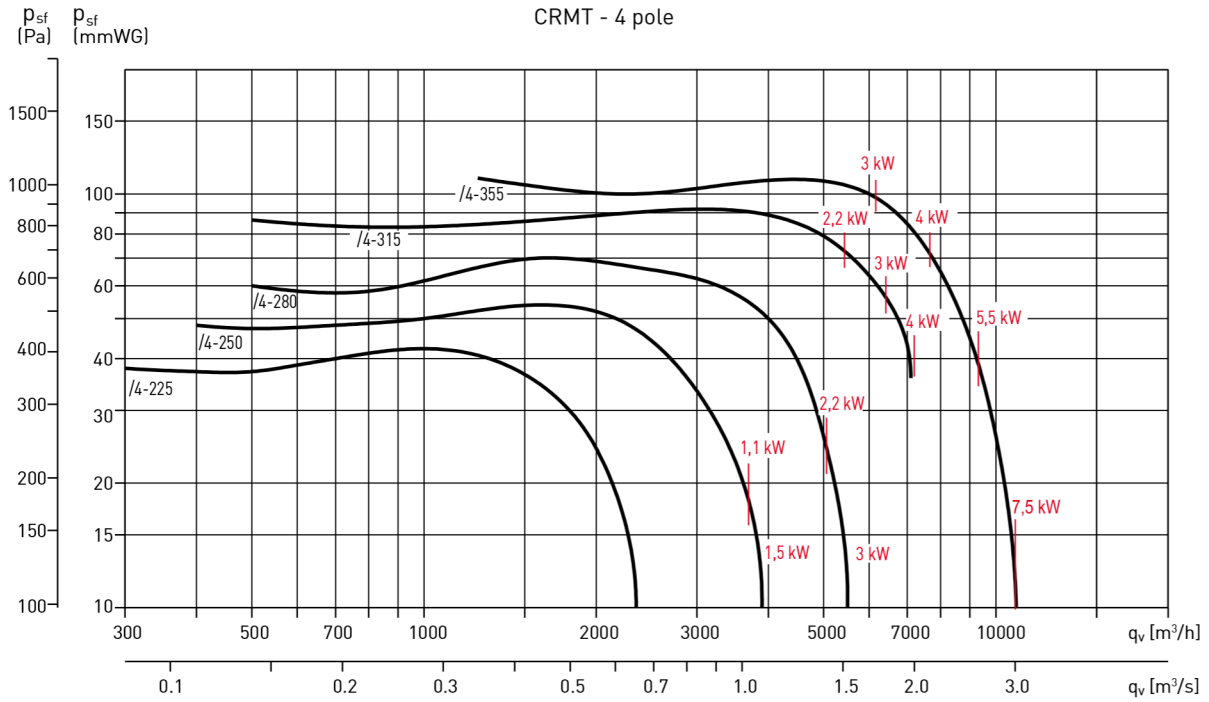
**DIMENSIONS (mm)**



Model CRMT	A	B	C max	D	E	F	G	H	I	K	L	M	N	P	Q	R	S	T	U	V
225/90	388	454	315	143	140	216	180	128	203	234	256	181	280	279	10,5	220	250	230	3x50	29
250/100	427	503	370	168	165	250	205	145	228	252	282	197	310	313	10,5	228	260	280	3x74	27
280/115	467	547	420	183	180	300	220	170	243	292	320	215	340	363	10,5	245	275	315	2x95	27
315/130	525	630	440	203	200	320	240	180	263	325	354	238	390	383	11	322	352	320	2x140	20
355/145	566	707	540	231	227	280	133	159	291	365	394	250	445	343	11	420	450	405	2x136,5	30
400/165	628	792	555	254	249	320	150	185	334	410	438	270	495	404	11	402	438	420	2x133,5	30
450/185	704	892	555	288	283	360	164	202	368	460	485	302	560	444	11	502	538	420	2x140	30
500/205	790	980	702	319	314	454	182,5	250	409	510	535	345	610	544	11	613	653	540	2x187,5	30

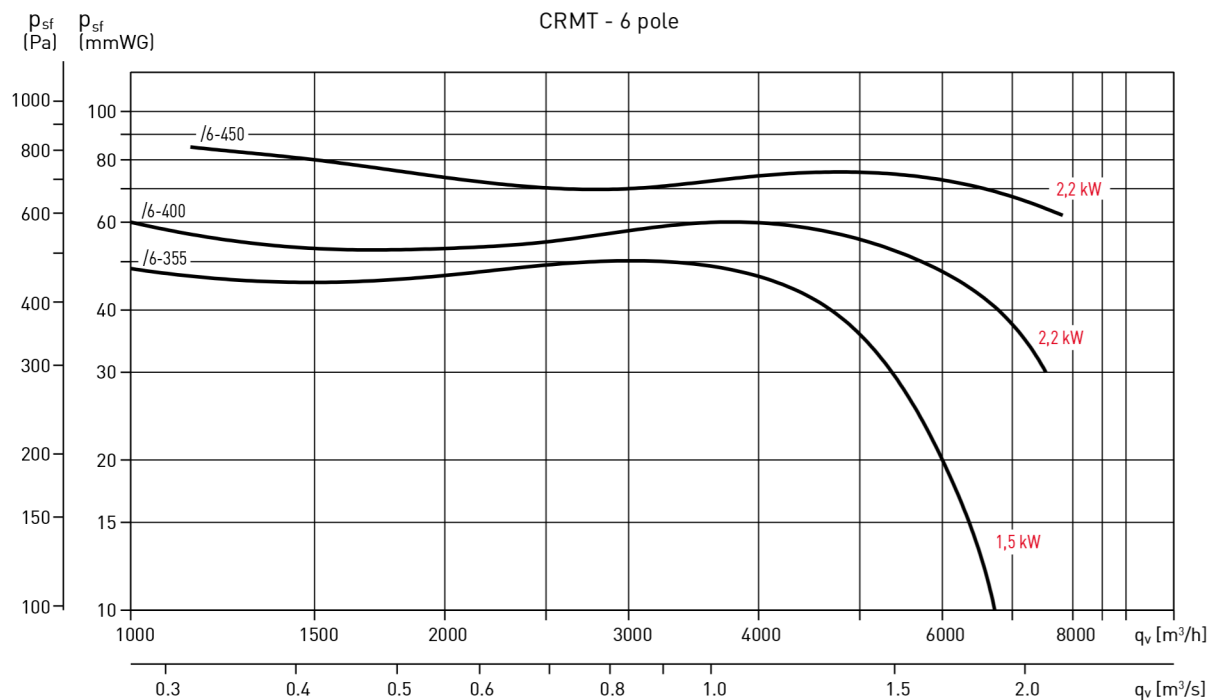
**PERFORMANCE CURVES**

- $q_v$ : Airflow in  $m^3/h$  and  $m^3/s$ .
- $p_{sf}$ : Static pressure in mmWG and Pa.
- Dry air at  $20^\circ C$  and 760 mmHg.
- Performance data in accordance with ISO 5801 and AMCA 210-99 Standards.

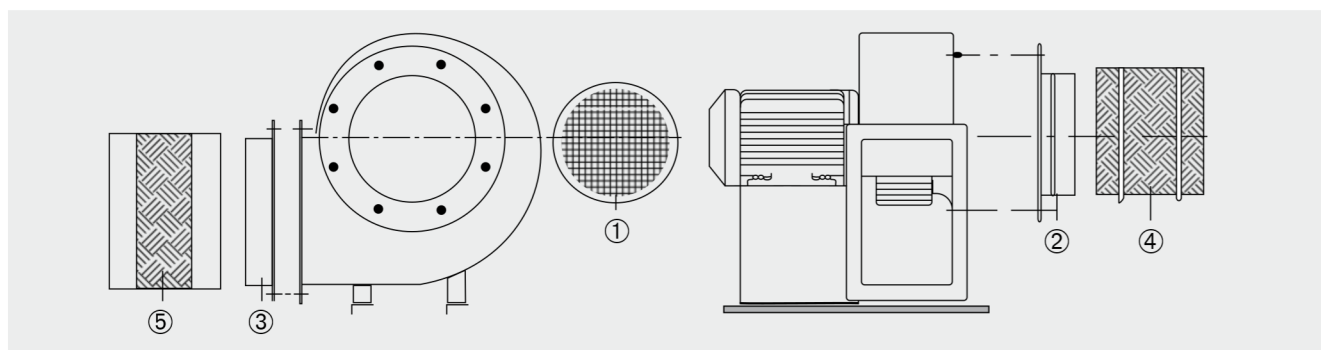


**PERFORMANCE CURVES**

- $q_v$ : Airflow in  $m^3/h$  and  $m^3/s$ .
- $p_{sf}$ : Static pressure in mmWG and Pa.
- Dry air at 20°C and 760 mmHg.
- Performance data in accordance with ISO 5801 and AMCA 210-99 Standards.

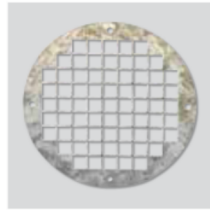


**MOUNTING ACCESSORIES**

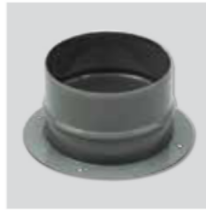


CRMT model	① Inlet guard	② Inlet mounting flange	③ Discharge mounting flange	④ Circular flexible connector	⑤ Rectangular flexible connector
225/90	KRJ-225	KBA-225	KBD-225	ACOPEL F400-225/160 N	KAD-225 F400
250/100	KRJ-250	KBA-250	KBD-250	ACOPEL F400-250/160 N	KAD-250 F400
280/115	KRJ-280	KBA-280	KBD-280	ACOPEL F400-280/160 N	KAD-280 F400
315/130	KRJ-315	KBA-315	KBD-315	ACOPEL F400-315/160 N	KAD-315 F400
355/145	KRJ-355	KBA-355	KBD-355	ACOPEL F400-355/160 N	KAD-355 F400
400/165	KRJ-400	KBA-400	KBD-400	ACOPEL F400-400/160 N	KAD-400 F400
450/185	KRJ-450	KBA-450	KBD-450	ACOPEL F400-450/160 N	KAD-450 F400
500/205	KRJ-500	KBA-500	KBD-500	ACOPEL F400-500/160 N	KAD-500 F400

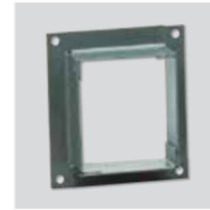
**MOUNTING ACCESSORIES**



**KRJ**  
Inlet guard.



**KBA**  
Inlet mounting flange.



**KBD**  
Discharge mounting flange.

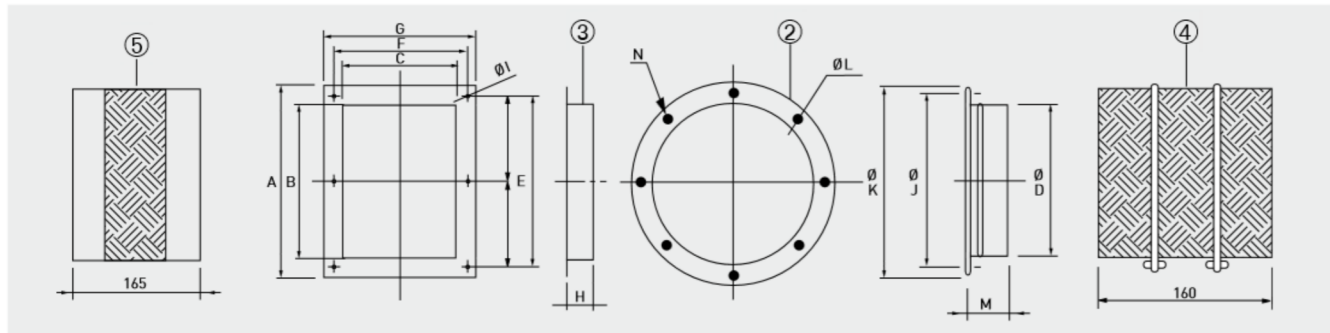


**ACOPEL F400 N**  
Circular flexible connector.  
Certified F400-120.



**KAD F400**  
Rectangular flexible connector.  
Certified F400-120.

**MOUNTING ACCESSORIES - DIMENSIONS (mm)**



Accessory model	A	B	C	ØD	E	F	G	H	ØI	ØJ	ØK	ØL	M	N
225/90	279	219	143	224	256	180	203	45	10	256	280	9	65	8
250/100	313	253	168	250	290	205	228	45	10	282	306	9	65	8
280/115	363	303	183	280	340	220	243	50	10	320	348	9	65	8
315/130	383	323	203	315	360	240	263	50	11	354	382	9	65	8
355/145	343	283	231	355	318	266	291	50	11	394	422	9	65	8
400/165	404	324	254	400	370	300	334	55	11	438	464	9	65	8
450/185	444	364	288	450	404	328	368	55	11	485	515	9	65	8
500/205	544	454	319	500	500	365	409	60	11	535	565	9	65	8